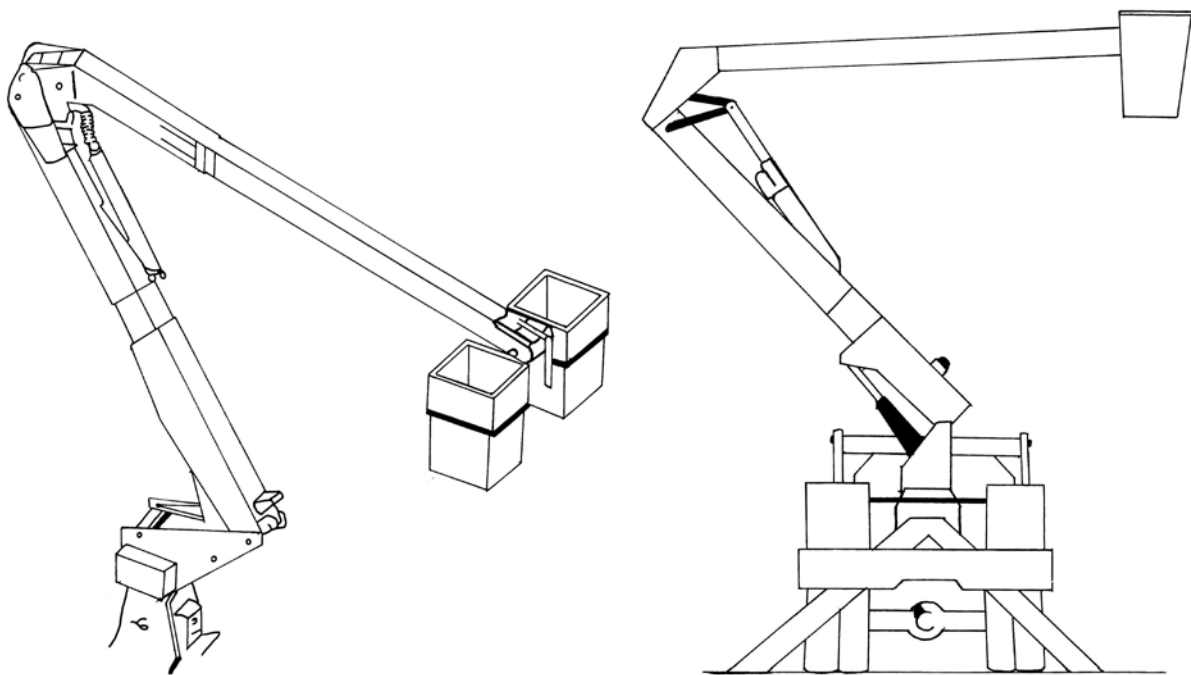


Boom Type Elevating Work Platform – WP



The scope for this licence covers the operation of all boom-type elevating work platforms.

An elevating work platform is either a telescoping device, hinged device, articulated device or any combination of these used to support a platform on which personnel, equipment or materials may be elevated to perform work.

You do not require a licence if the boom length is less than 11 metres.

The length of the boom is the greater of the following:

- The vertical distance from the surface supporting the boom-type elevating work platform to the floor of the platform with the platform extended to its maximum height.
- The horizontal distance from the centre point of the boom's rotation to the outer edge of the platform with the platform extended to its maximum distance.