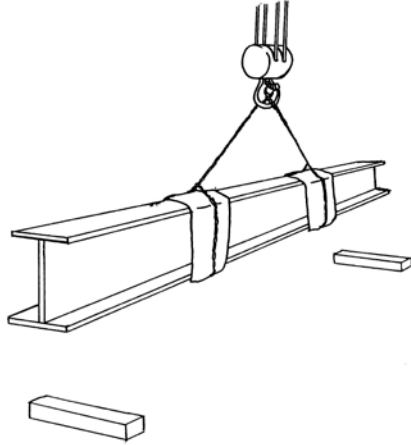


Dogging – DG



For the purposes of licensing, dogging work means the application of slinging techniques, including selection and/or inspection of lifting gear to safely sling a load or directing plant operator in the movement of a load when the load is out of the operator's view.

Slinging technique means the exercising of judgement in relation to the suitability and condition of lifting gear and the method of slinging, by consideration of the nature of the load, its mass and its centre of gravity.

You do not require a licence if you are slinging loads that don't involve slinging techniques, and the load remains in the clear view of the plant operator and there is no requirement to exercise judgement about:

- which sling to use
- how to sling the load
- the condition of the sling or load and its centre of gravity

You can carry out dogging work if you hold a basic, intermediate or advanced rigging licence.