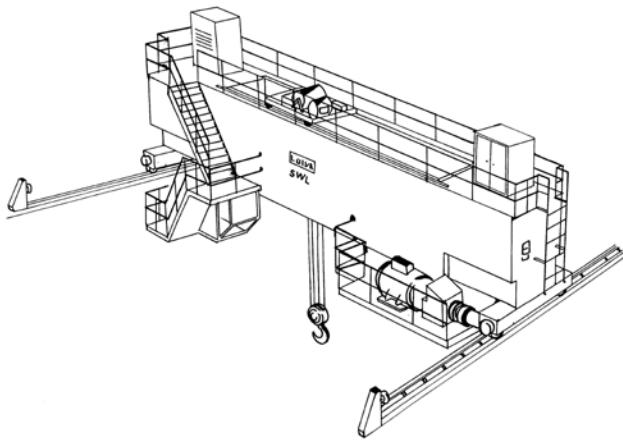
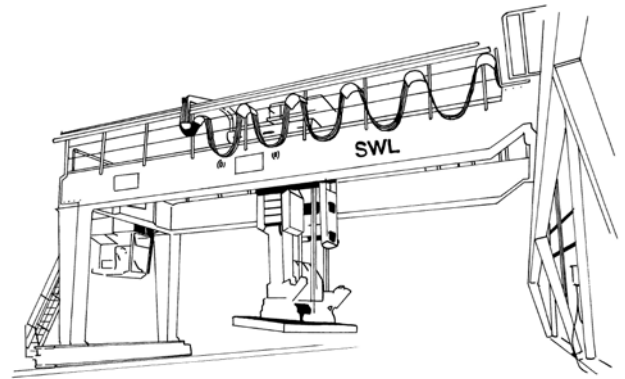


Bridge and Gantry Crane – CB



Bridge crane



Gantry crane (semi-gantry type)

The scope for this licence class covers the operation of all bridge and gantry cranes.

A bridge crane consists of a bridge beam or beams mounted to an end carriage at each end, and is capable of traveling along elevated runways and having one or more hoisting mechanisms arranged to traverse across the bridge.

A gantry crane consists of a bridge beam supported at each end by legs mounted on end carriages, capable of traveling on supporting surfaces or deck levels, whether fixed or not, including a crab with one or more hoisting units arranged to travel across the bridge.

A licence is required if the bridge or gantry crane is controlled from a permanent cabin or control station on the crane or is remotely controlled and having more than 3 powered operations. This includes the application of load estimation and slinging techniques to move a load.