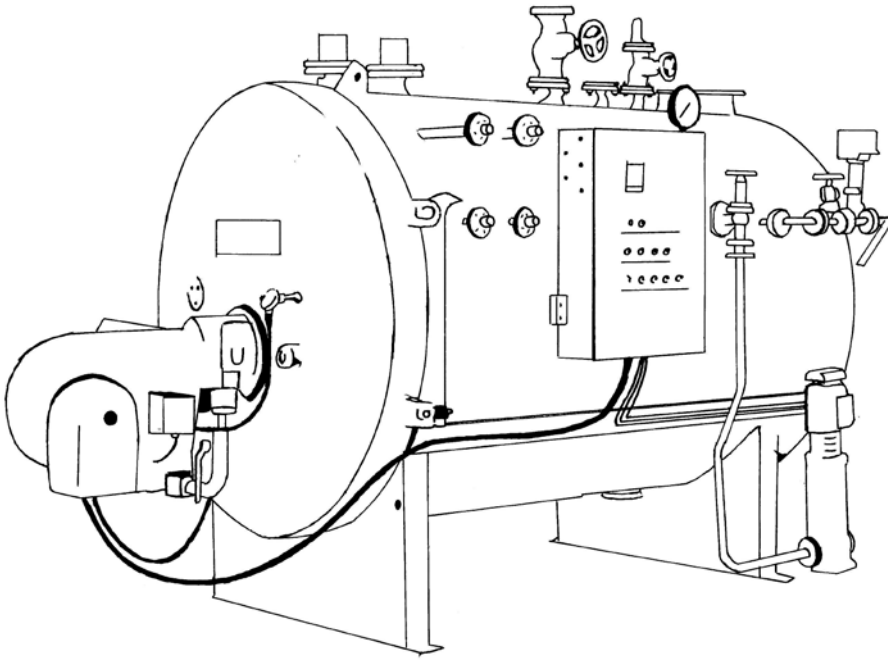


Boiler Standard – BS



This licence class includes the operation of a boiler with a single fuel source that does not have a pre-heater, superheater or economiser attached.

This does not include:

- Fully flooded or pressurized system where water or another liquid is heated to a temperature lower than the normal atmospheric boiling temperature of the liquid;
- A direct fired process heater;
- Boilers with less than 5 square metres heating surface or 150 kilowatt output;
- Unattended boilers certified in compliance with AS2593:2004.