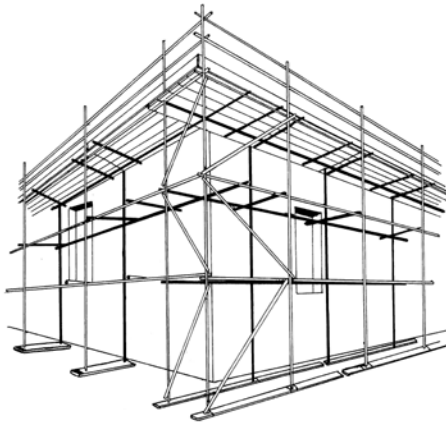
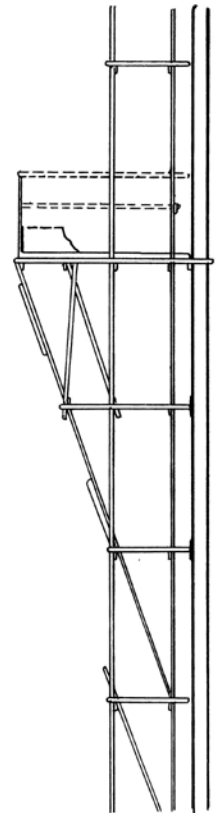


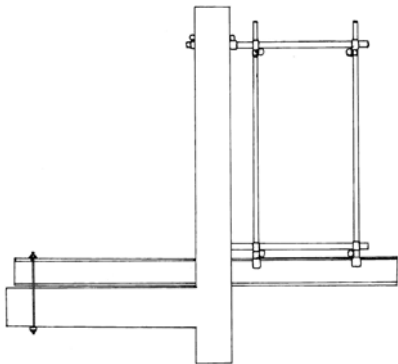
## Intermediate Scaffolding Licence – SI



*Tube-and-coupler scaffold*



*Spurred scaffold*



*Cantilevered scaffold*

The scope of work for intermediate scaffolding includes:

- scaffolding work included in the class of Basic Scaffolding
- tube and coupler scaffolds including tube and coupler covered ways and gantries
- cantilever crane loading platforms
- cantilever and spurred scaffolds
- barrow ramps and sloping platforms
- scaffolding associated with perimeter safety screens and shutters
- mast climbing work platforms.

Intermediate scaffolding work does not include:

- cantilevered hoists
- hung scaffolds, including scaffolds hanging from tubes, wire ropes or chains
- suspended scaffolds.

It is a prerequisite that applicants for an intermediate scaffolding licence already hold or have passed assessment for a basic scaffolding licence or alternatively assessment for the applicants must incorporate the requirements for basic scaffolding assessments.

You can erect and dismantle cantilevered crane loading bays and mast climbers if you hold the basic rigging licence or equivalent.