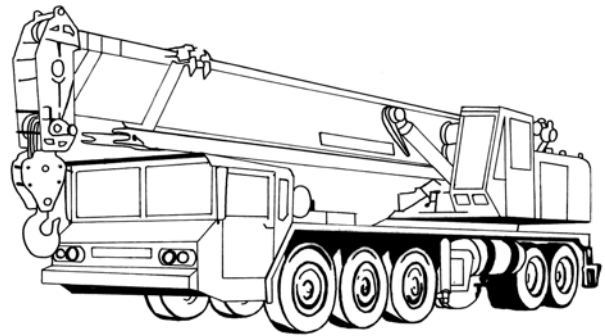
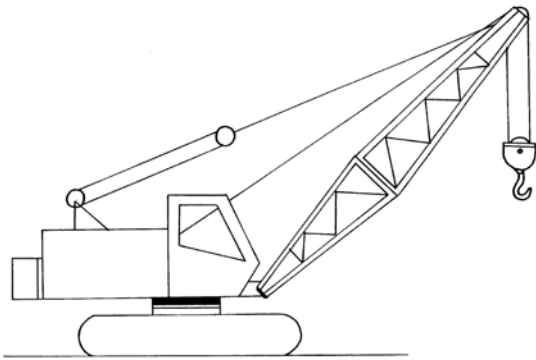
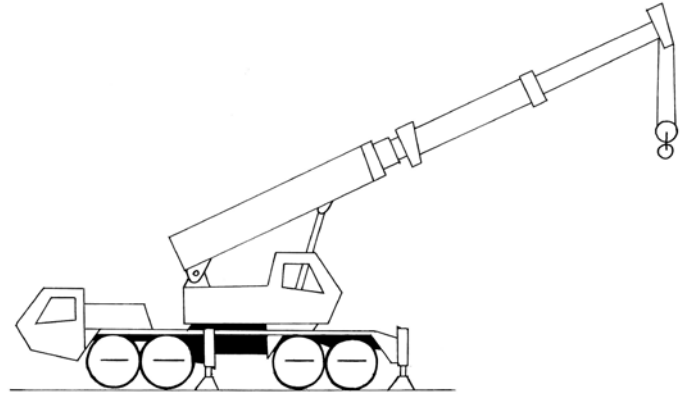
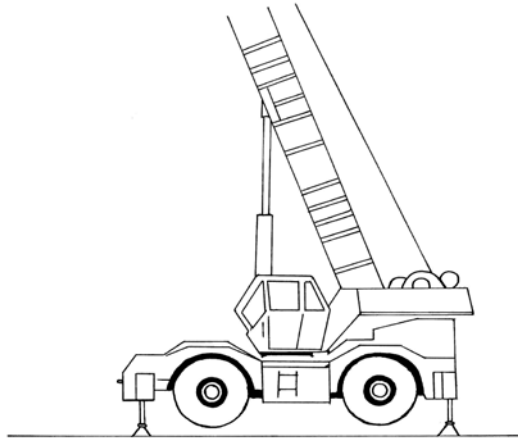


Slewing Mobile Cranes



Slewing mobile cranes are mobile cranes incorporating a boom or jib that can be slewed. It excludes a front-end loader, a backhoe, an excavator or other earthmoving equipment when configured for crane operation. The licence class encompasses the requirement for the non-slewing mobile crane operation licence and the vehicle loading crane operation licence.

Slewing mobile crane with a capacity up to 20 tonnes – C2

The scope for this licence class covers the operation of slewing mobile cranes with a capacity up to 20 tonnes.

Slewing mobile crane with a capacity up to 60 tonnes – C6

The scope for this licence class covers the operation of slewing mobile cranes with a capacity up to 60 tonnes.

Slewing Mobile Crane – with a capacity up to 100 tonnes – C1

The scope for this licence class covers the operation of slewing mobile cranes with a capacity up to 100 tonnes.

Slewing Mobile Crane – with a capacity over 100 tonnes – C0

The scope for this licence class covers the operation of slewing mobile cranes of any capacity.